

# Parts

To order parts, call the Nordson Finishing Customer Support Center at (800) 433-9319 or your local Nordson representative.

## Corona Modular Pumps

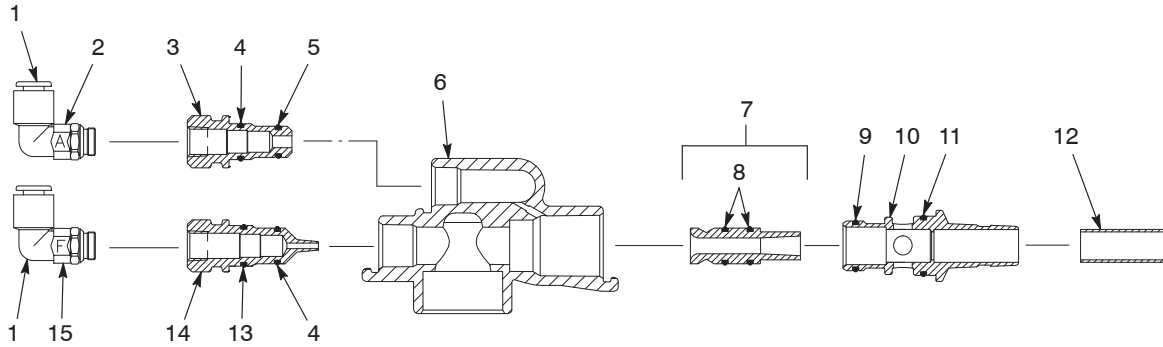


Figure 2 6-mm Corona Modular Pump

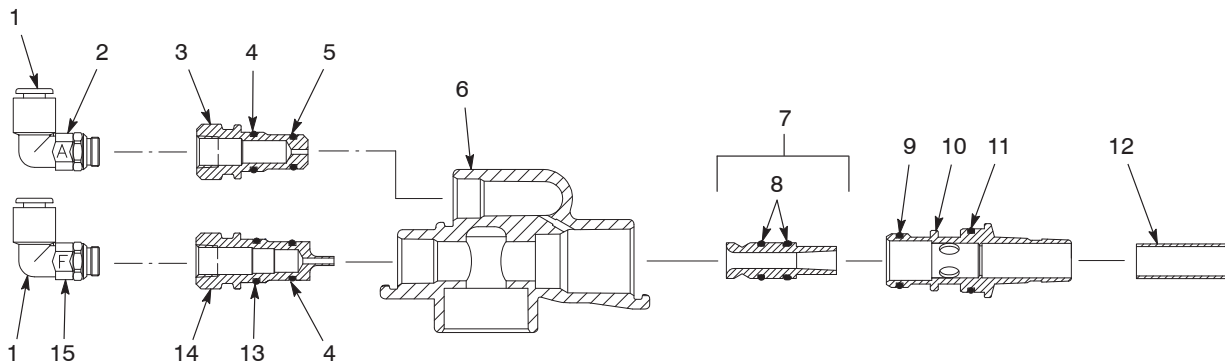


Figure 3 8-mm Corona Modular Pump

Item	Part	Part	Description	Quantity	Note
—	224713		6-mm PUMP, modular, corona	—	
—		344251	8-mm PUMP, modular, corona	—	A
1	972126		• ELBOW, male, 6 mm tube x 1/8 in. universal fit thread	2	
1		972276	• ELBOW, male, 8 mm tube x 1/8 in. universal fit thread	2	
2	939108	248046	• MARKER, clip, A (atomizing)	1	
3	224733	344239	• NOZZLE, air, atomizing	1	
4	940129	940129	• O-RING, silicone, conductive, 0.375 x 0.50 x 0.063 in.	2	B
5	940010	940010	• O-RING, silicone, conductive, 0.312 x 0.437 x 0.063 in.	1	B
6	244726	344240	• BODY, pump, powder, modular	1	
					<i>Continued...</i>

## 8 Modular Powder Feed Pumps

Item	Part	Part	Description	Quantity	Note
7	225547	225547	• THROAT, 0.188-in. ID, Tivar, with O-rings	1	
8	940126	940126	• • O-RING, silicone, 0.375 x 0.50 x 0.063 in.	2	
9	940015	940015	• O-RING, silicone, conductive, 0.562 x 0.687 x 0.063 in.	1	B
10	224728	344241	• HOLDER, throat, corona	1	
11	940177	940177	• O-RING, silicone, conductive, 0.687 x 0.812 x 0.063 in.	1	B
12	224736	224736	• TUBE, wear, 0.437 in. OD x 0.03 in. wall	1	
13	940207	940207	• O-RING, silicone, conductive, 0.437 x 0.562 x 0.063 in.	1	B
14	224727	344238	• NOZZLE, air, flow	1	
15	939109	248124	• MARKER, clip, F (flow)	1	
<p>NOTE A: This pump is typically used with the threaded pump mount adapter kit, part 334794, and the purge pump adapter kit, part 334821.</p> <p>B: Black silicone O-rings are electrically conductive. Do not substitute non-conductive O-rings unless otherwise instructed.</p>					

### Corona Modular Pump Options

See Figure 2 or 3.

Item	Part	Part	Description	Quantity	Note
—	-----		6-mm PUMP, modular, corona	—	
—		-----	8-mm PUMP, modular, corona,	—	
4	340636	340636	• O-RING, polyurethane, non-conductive, 0.375 x 0.50 x 0.063 in.	2	A
9	340637	340637	• O-RING, polyurethane, non-conductive, 0.562 x 0.687 x 0.063 in.	1	A
7	225546	344254	• THROAT, 0.213 in. ID, Tivar, with O-rings	1	B
7	225548	344259	• THROAT, 0.213 in. ID, PTFE, with O-rings	1	B, C
7	225549	225261	• THROAT, 0.188 in. ID, PTFE, with O-rings	1	C
<p>NOTE A: Optional O-ring that provides better retention of nozzle/throat holder without compromising ground path. All other O-rings in assembly must be conductive to ensure proper grounding.</p> <p>B: Optional throat ID for use in special applications. Consult your Nordson Corporation representative for information about 0.213-in. ID modular pump throats.</p> <p>C: Optional throat material. PTFE throats are more resistant to powder impact fusion, but may wear faster than the standard Tivar throats.</p>					